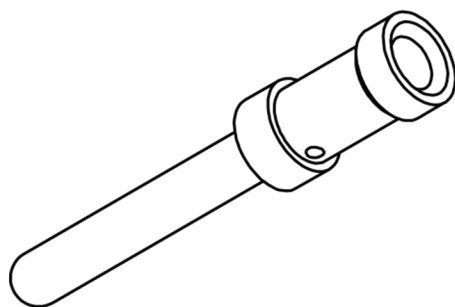
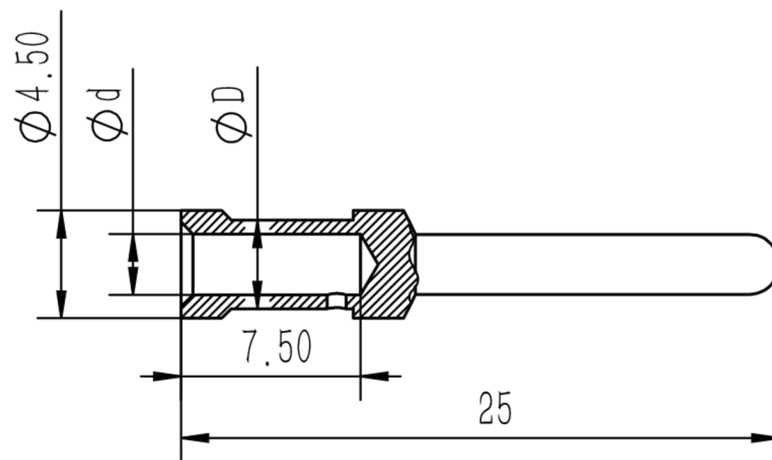


Part Code	Wire gauge		d	D	Stripping length
	mm ²	AWG			
CESM-0.37	0.14~0.37	26-22	0.9	1.8	7.5mm
CESM-0.5	0.5	20	1.1	2.6	7.5mm
CESM-0.75	0.75	18	1.3	2.6	7.5mm
CESM-1.0	1.0	18	1.45	2.6	7.5mm
CESM-1.5	1.5	16	1.75	3.0	7.5mm
CESM-2.5	2.5	14	2.25	3.5	7.5mm
CESM-3.0	3.0	12	2.55	3.7	7.5mm
CESM-4.0	4.0	12	2.85	3.9	7.5mm



技术参数:

- 材料: 铜合金
- 表面处理: 镀银
- 额定电流: 16A
- 接触电阻: $\leq 1\text{m}\Omega$
- 线径范围: $0.14\text{--}4.0\text{mm}^2$ (26-12 AWG)
- 可插拔次数: ≥ 500

Technical specification:

- Material: copper alloy
- Surface: hard-silver plated
- Rated current: 16A
- Contact resistance: $\leq 1\text{m}\Omega$
- Wire gauge: $0.14\text{--}4.0\text{mm}^2$ (26-12 AWG)
- Mating cycles: ≥ 500

		订货号 Order No.	
版本 REV	重量 weight	比例 Scale	产品代号 Part Code
V1.0	1.3g	1:1	CESM-XX
浙江思美克电气科技有限公司 ZHEJIANG SMICO ELECTRICAL TECHNOLOGY CO.,LTD			