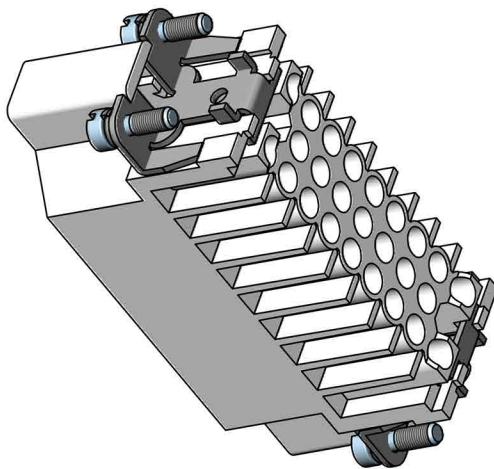


面板安装开孔图  
Panel cut out



技术参数:

插芯:

- 插针数: 25+PE
- 额定电流: 10A
- 额定电压: 250V
- 额定脉冲电压: 4kV
- 污染等级: 3
- 依据UL/CSA的额定电压: 600V
- 绝缘阻抗:  $> 10^{10}\Omega$
- 材料: 聚碳酸酯
- 颜色: RAL 7032 (浅灰色)
- 温度范围:  $-40^{\circ}\text{C} - +125^{\circ}\text{C}$
- 依据UL 94的阻燃等级: V0
- 可插拔次数:  $> 500$

插针:

- 接线方式: 冷压连接
- 材料: 铜合金
- 表面处理:
  - 镀银
  - 镀金
- 接触电阻:  $\leq 3\text{m}\Omega$
- 线径范围:  $0.14-2.5\text{mm}^2(26-14 \text{ AWG})$
- 工具:
  - 冷压钳: TL02G
  - 退针器: TL00

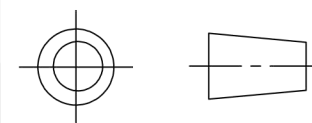
Technical specification:

Inserts:

- No. of contact: 25+PE
- Rated current: 10A
- Rated voltage: 250V
- Rated impulse voltage: 4kV
- Pollution degree: 3
- Rated voltage acc.to UL/CSA: 600V
- Insulation resistance:  $> 10^{10}\Omega$
- Material: polycarbonate
- Colour: RAL 7032(light grey)
- Temperature range:  $-40^{\circ}\text{C} - +125^{\circ}\text{C}$
- Flammability acc.to UL 94: V0
- Mating cycles:  $> 500$

Contacts:

- Terminal: crimp terminal
- Material: copper alloy
- Surface:
  - Hard-silver plated
  - Hard-gold plated
- Contact resistance:  $\leq 3\text{m}\Omega$
- Wire gauge:  $0.14-2.5\text{mm}^2(26-14 \text{ AWG})$
- Tools:
  - Crimp contact tool: TL02G
  - Contact removal tool: TL00



订货号 Order No.

版本 REV	重量 weight	比例 Scale	产品代号 Part Code
V1.0	30.7g	1:1	SO-HD-025-MC