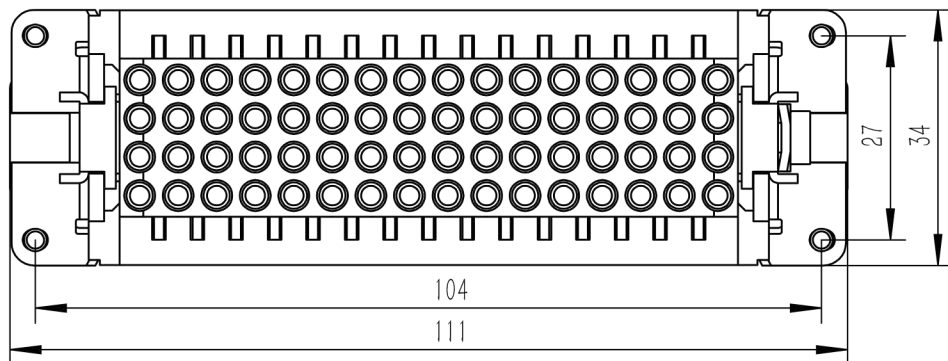
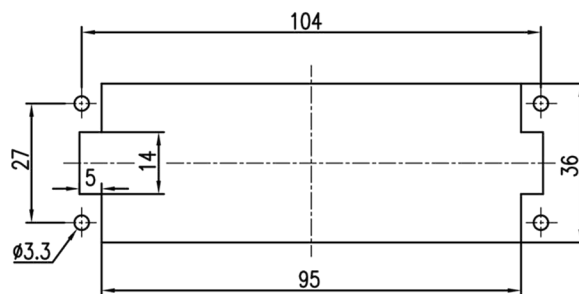
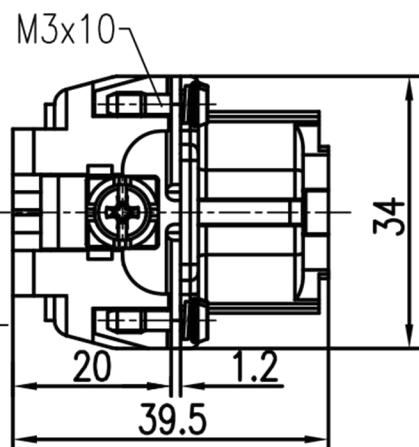


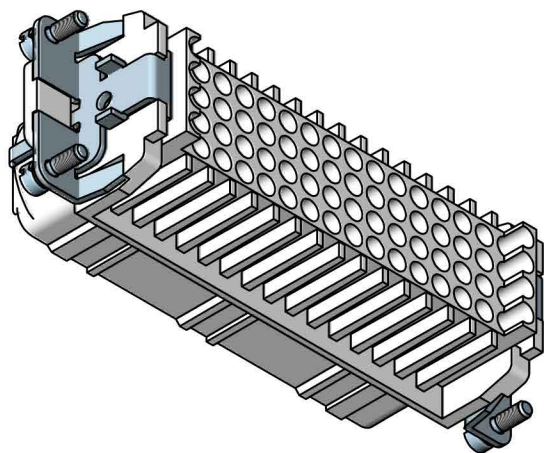
A



B



面板安装开孔图  
Panel cut out



技术参数:

插芯:

- 插针数: 64+PE
  - 额定电流: 10A
  - 额定电压: 250V
  - 额定脉冲电压: 4kV
  - 污染等级: 3
  - 依据UL/CSA的额定电压: 600V
  - 绝缘阻抗:  $> 10^{10}\Omega$
  - 材料: 聚碳酸酯
  - 颜色: RAL 7032 (浅灰色)
  - 温度范围:  $-40^{\circ}\text{C} - +125^{\circ}\text{C}$
  - 依据UL 94的阻燃等级: V0
  - 可插拔次数:  $\geq 500$
- 插针:
- 接线方式: 冷压连接
  - 材料: 铜合金
  - 表面处理:
    - 镀银
    - 镀金
  - 接触电阻:  $< 3\text{m}\Omega$
  - 线径范围:  $0.14-2.5\text{mm}^2(26-14 \text{ AWG})$
- 工具:
- 冷压钳: TL02G
  - 退针器: TL00

Technical specification:

Insters:

- No. of contact: 64+PE
- Rated current: 10A
- Rated voltage: 250V
- Rated impulse voltage: 4kV
- Pollution degree: 3
- Rated voltage acc.to UL/CSA: 600V
- Insulation resistance:  $> 10^{10}\Omega$
- Material: polycarbonate
- Colour: RAL 7032(light grey)
- Temperature range:  $-40^{\circ}\text{C} - +125^{\circ}\text{C}$
- Flammability acc.to UL 94: V0
- Mating cycles:  $\geq 500$

Contacts:

- Terminal: crimp terminal
  - Material: copper alloy
  - Surface:
    - Hard-silver plated
    - Hard-gold plated
  - Contact resistance:  $< 3\text{m}\Omega$
  - Wire gauge:  $0.14-2.5\text{mm}^2(26-14 \text{ AWG})$
- Tools:
- Crimp contact tool: TL02G
  - Contact removal tool: TL00



订货号 Order No.

版本  
REV

重量  
weight

比例  
Scale

产品代号 Part Code

V1.0

80.3g

1:1

SO-HD-064-FC



浙江思美克电气科技有限公司  
ZHEJIANG SMICO ELECTRICAL TECHNOLOGY CO.,LTD