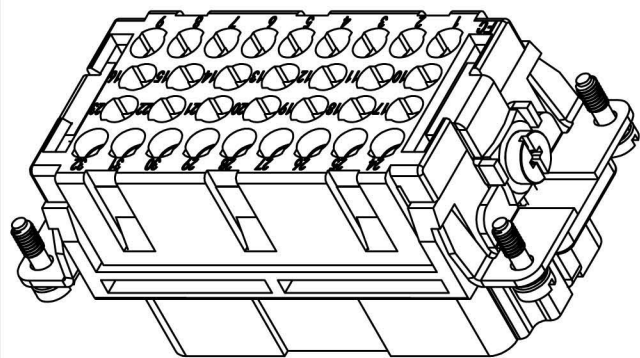


面板安装开孔图  
Panel cut out



技术参数:

- 插芯:
- 插针数: 32+PE
  - 额定电流: 16A
  - 额定电压: 500V
  - 额定脉冲电压: 6kV
  - 污染等级: 3
  - 依据UL/CSA的额定电压: 600V
  - 绝缘阻抗:  $>10^{10}\Omega$
  - 材料: 聚碳酸酯
  - 颜色: RAL 7032 (浅灰色)
  - 温度范围:  $-40^{\circ}\text{C} - +125^{\circ}\text{C}$
  - 依据UL 94的阻燃等级: V0
  - 可插拔次数:  $>500$
- 插针:
- 接线方式: 冷压连接
  - 材料: 铜合金
  - 表面处理:
    - 镀银
    - 镀金
  - 接触电阻:  $<1\text{m}\Omega$
  - 线径范围:  $0.14-4.0\text{mm}^2(26-12\text{ AWG})$
  - 剥线长度: 7.5mm

Technical specification:

- Inserts:
- No. of contact: 32+PE
  - Rated current: 16A
  - Rated voltage: 500V
  - Rated impulse voltage: 6kV
  - Pollution degree: 3
  - Rated voltage acc.to UL/CSA: 600V
  - Insulation resistance:  $>10^{10}\Omega$
  - Material: polycarbonate
  - Colour: RAL 7032(light grey)
  - Temperature range:  $-40^{\circ}\text{C} - +125^{\circ}\text{C}$
  - Flammability acc.to UL 94: V0
  - Mating cycles:  $>500$
- Contacts:
- Terminal: crimp terminal
  - Material: copper alloy
  - Surface:
    - Hard-silver plated
    - Hard-gold plated
  - Contact resistance:  $<1\text{m}\Omega$
  - Wire gauge:  $0.14-4.0\text{mm}^2(26-12\text{ AWG})$
  - Stripping length: 7.5mm

		订货号 Order No.	
		产品代号 Part Code	
版本 REV	重量 weight	比例 Scale	SO-HEE-032-FC
V1.0	69.8g	1:1	
<b>浙江思美克电气科技有限公司</b> ZHEJIANG SMICO ELECTRICAL TECHNOLOGY CO.,LTD			