

技术参数:

插芯:

- 插针数: 6/36+PE
- 额定电流:
 - 电力区: 40A
 - 信号区: 10A
- 额定电压:
 - 电力区: 690V
 - 信号区: 160V
- 额定脉冲电压:
 - 电力区: 8kV
 - 信号区: 2.5kV
- 污染等级: 3
- 依据UL/CSA的额定电压: 600V/300V
- 绝缘阻抗: $>10^{10}\Omega$
- 材料: 聚碳酸酯
- 颜色: RAL 7032 (浅灰色)
- 温度范围: $-40^{\circ}\text{C} - +125^{\circ}\text{C}$
- 依据UL 94的阻燃等级: V0
- 可插拔次数: >500

插针:

- 接线方式: 冷压连接
- 材料: 铜合金
- 表面处理:
 - 镀银
 - 镀金
- 接触电阻:
 - 强电针: $<0.3\text{m}\Omega$
 - 信号针: $<3\text{m}\Omega$
- 线径范围:
 - 强电针: $1.5-6\text{mm}^2(16-10\text{ AWG})$
 - 信号针: $0.14-2.5\text{mm}^2(26-14\text{ AWG})$
- 最大绝缘直径: 5mm

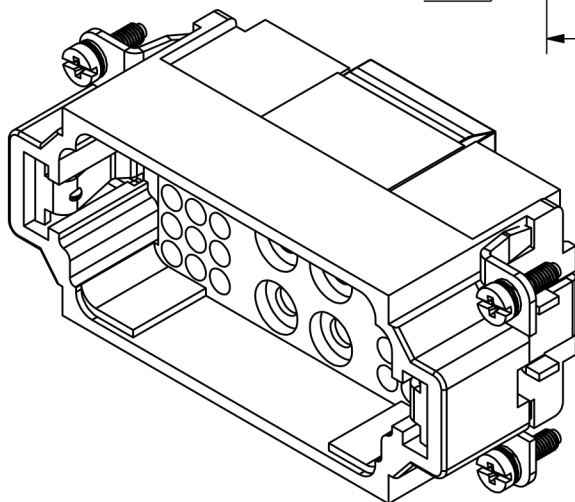
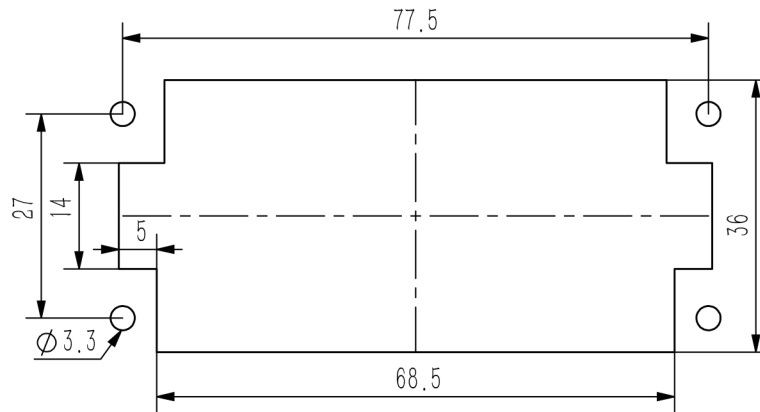
Technical specification:

Insters:

- No. of contact: 6/36+PE
- Rated current:
 - Power area: 40A
 - Signal area: 10A
- Rated voltage:
 - Power area: 690V
 - Signal area: 160V
- Rated impulse voltage:
 - Power area: 8kV
 - Signal area: 2.5kV
- Pollution degree: 3
- Rated voltage acc.to UL/CSA: 600V/300V
- Insulation resistance: $>10^{10}\Omega$
- Material: polycarbonate
- Colour: RAL 7032(light grey)
- Temperature range: $-40^{\circ}\text{C} - +125^{\circ}\text{C}$
- Flammability acc.to UL 94: V0
- Mating cycles: >500

Contacts:

- Terminal: crimp terminal
- Material: copper alloy
- Surface:
 - hard-silver plated
 - hard-gold plated
- Contact resistance:
 - Power contacts: $<0.3\text{m}\Omega$
 - Signal contacts: $<3\text{m}\Omega$
- Wire gauge:
 - Power contacts: $1.5-6\text{mm}^2(16-10\text{ AWG})$
 - Signal contacts: $0.14-2.5\text{mm}^2(26-14\text{ AWG})$
- Max. insulation diameter: 5mm



				订货号 Order No.
				产品代号 Part Code
版本 REV	重量 weight	比例 Scale	SO-HK-006/36-MC	
V1.0	63g	1:1		



浙江思美克电气科技有限公司
ZHEJIANG SMICO ELECTRICAL TECHNOLOGY CO.,LTD